

本件請放在空中照像機箱內，勿遺失。

Calibration Certificate

Wild Camera No. 15 UAg. 403

Lens Cone

Type: RC5/RC8
 No.: 15 UAg. 403
 Size: 9" x 9"

Lens

Caliberation date: 8.4.69

Type: Universal - Aviogon
 No.: 403
 f = 152.87 mm
 max. aperture: f:5.6

Resolving Power (Lines per millimeter)

High contrast and max. aperture f:5.6

Film: Agfa IP 15 blank
 Glass plate:

	0°	5°	10°	15°	20°	25°	30°	35°	40°	45°	50°	55°	60°
rad.	53	53	52	51	55	43	51	49	29	8			
tang.	53	53	51	49	47	44	44	40	35	17			

rad.													
tang.													

Distortion in millimeters

The given distortion is the arithmetic mean of the four half-diagonals. Positive values denote image displacement outwards.

Goniometer measurements made with ~~TYPE 100 X 100 X 100 X 100 X~~ no filter on lens cone.

Calibrated focal length: 152.87 mm

Radius	20	40	60	80	100	120	140	148
Distortion	+0.004	+0.007	+0.004	-0.001	-0.005	-0.007	+0.003	+0.012

The displacement of the principal point of autocollimation from the intersection of the diagonals (fiducial center) is within 0.015 mm

Date of Dispatch: 22.4.69

WILD HEERBRUGG
 Limited *Jan 12. 54.2*

LENS CONE

LENS

CALIBRATION DATE: 8.4.69

Type: RC5/RC8

Type: Universal - Aviogon

Format: 9" x 9"

No.: 15 UAg. 403 f = 152.87 mm

Coordinates (Origin: Fiducial Center) of

Point of best Symmetry (S):

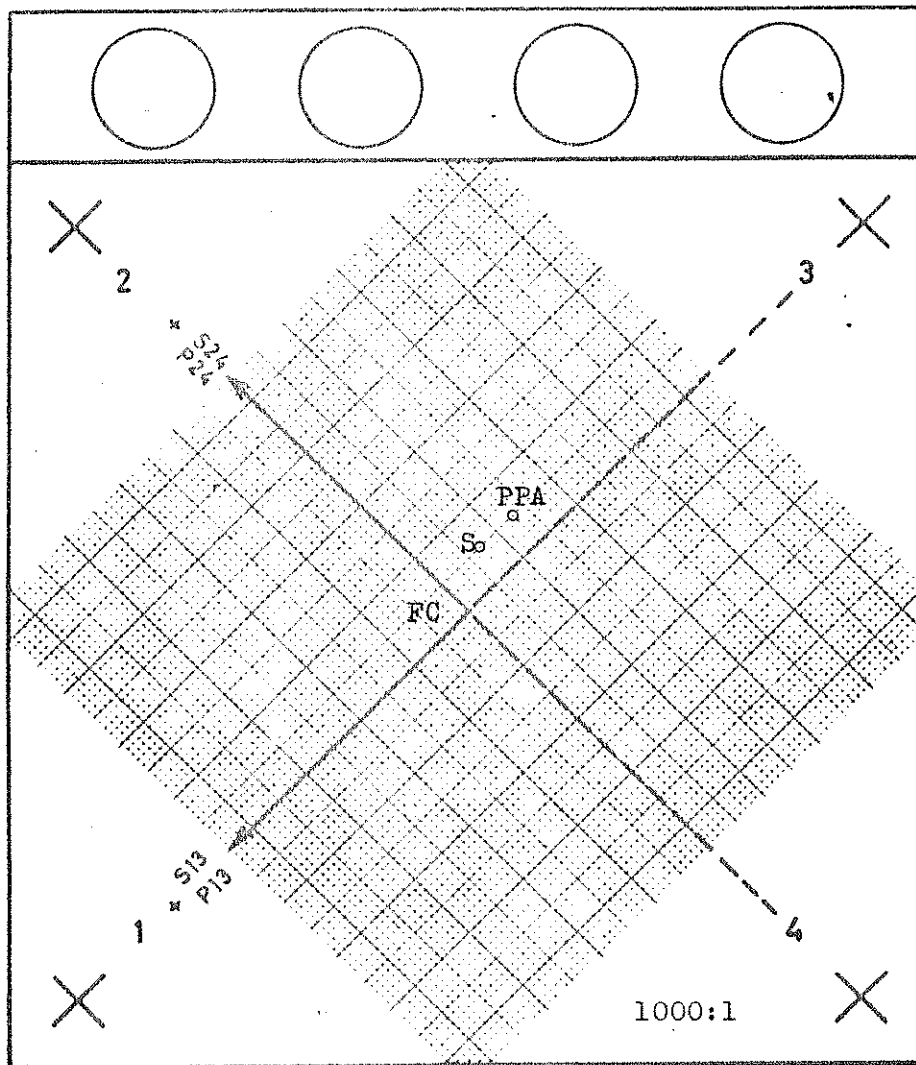
S13 = -7 μ ; S24 = +5 μ

Principal Point of Autocollimation (PPA):

P13 = -13 μ ; P24 = +5 μ

(Calibration without filter)

(Seen on focal Plane Frame)



Distances between Fiducial Marks in mm :

1 - 2 = 212.018

1 - 3 = 299.822

2 - 3 = 212.012

2 - 4 = 299.835

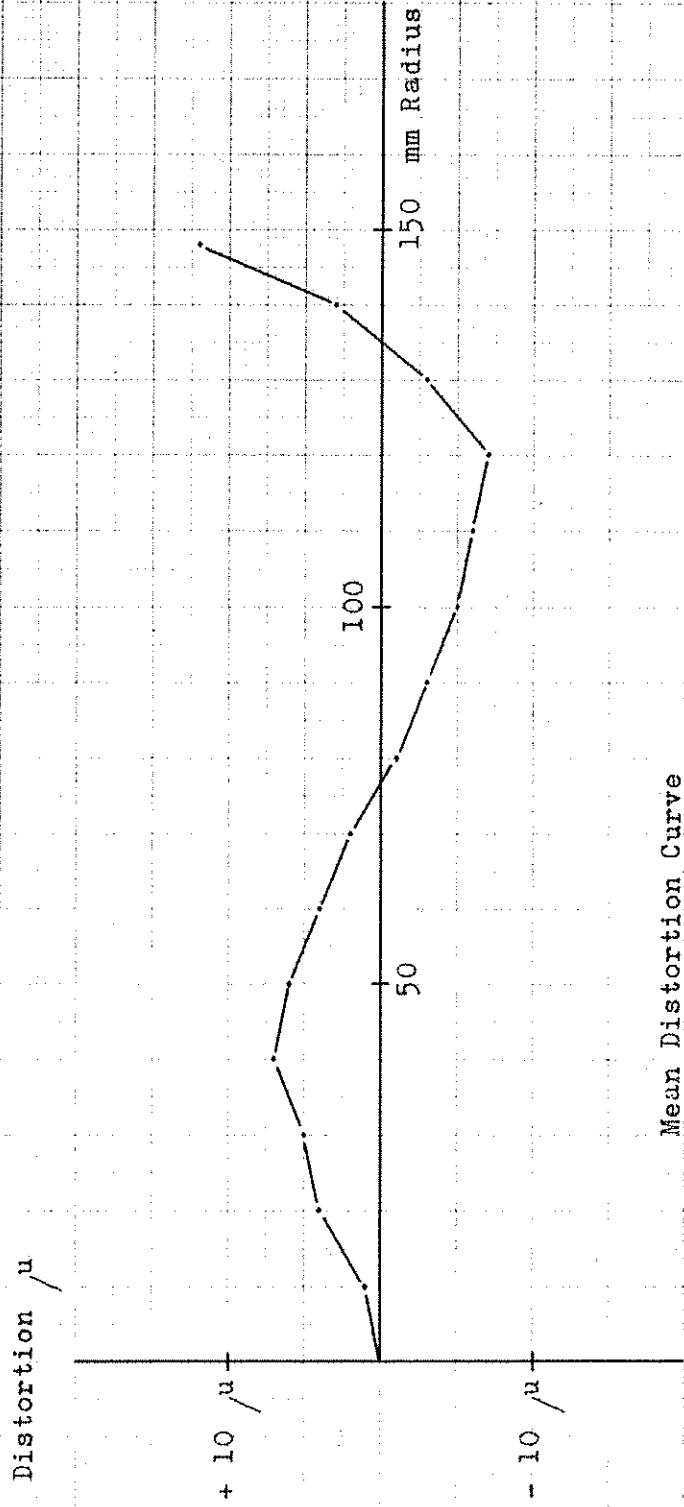
3 - 4 = 212.009

4 - 1 = 212.001

WILD HEERBRUGG LTD

gam. 542

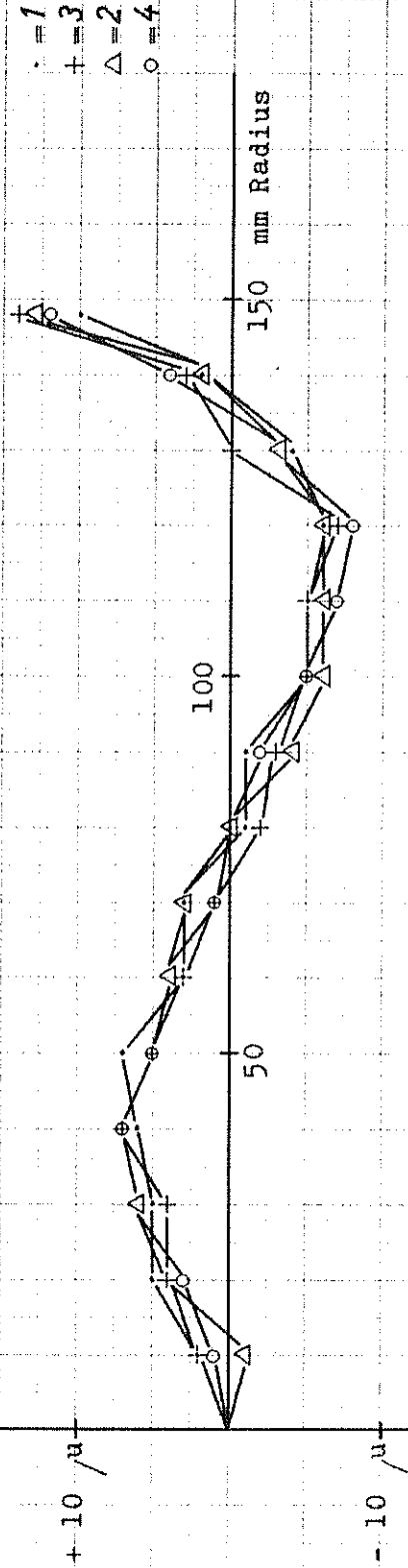
WILD UNIVERSAL - AVIOCON Lens Cone 9" x 9" No. 15 UAG. 403 f = 152.87 mm



WILD HEERBRUGG LTD
8.4.69 Yam. 572

WILD UNIVERSAL - AVIOCON Lens Cone 9" x 9" No. 15 UAG. 403 f = 152.87 mm

Distortion μ



Origin: Point of Symmetry

WILD HEERBRUGG LTD

8.4.69 *gim. 542*